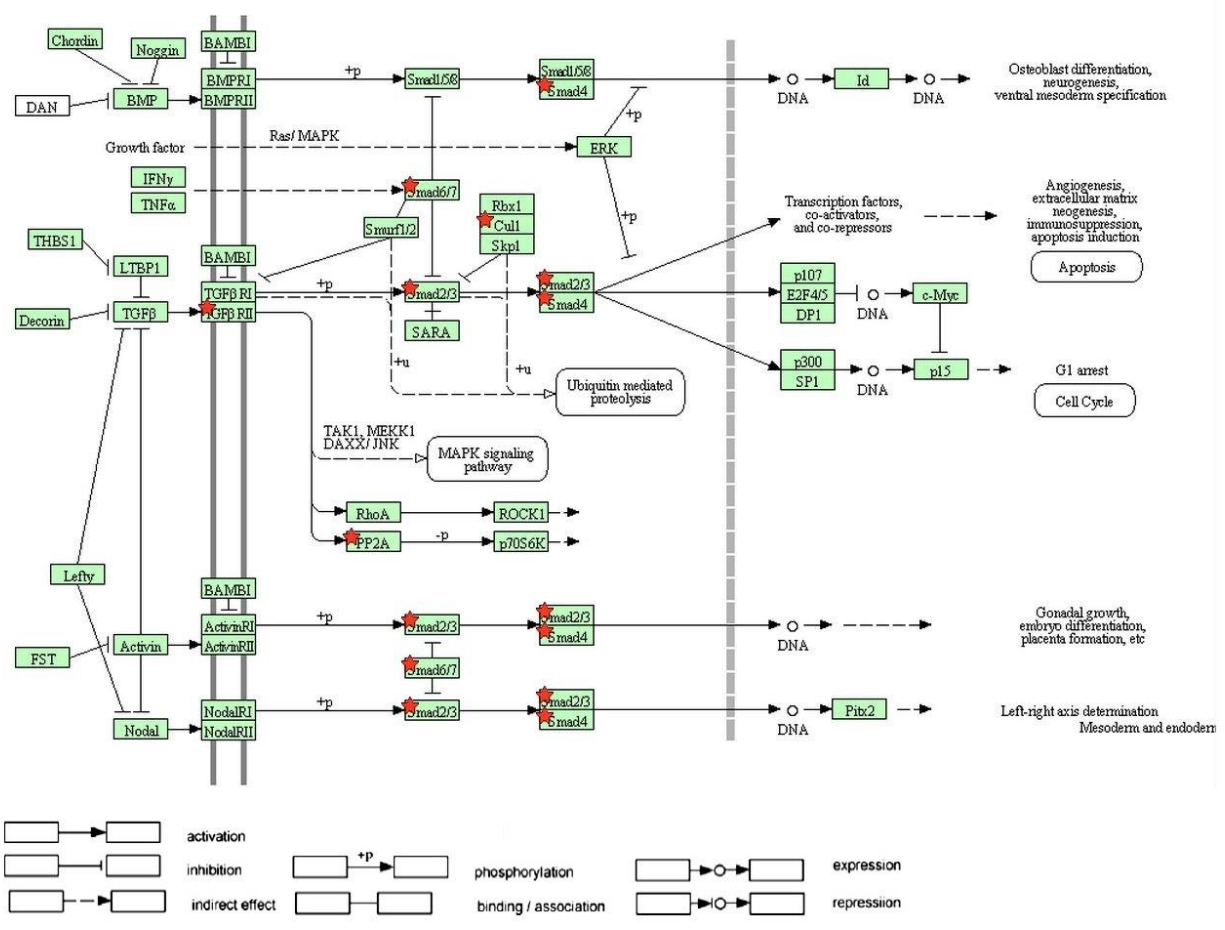


**TGF-BETA SIGNALING PATHWAY**



**Figure A.1**